

OFFSET NIPPLES

FEATURES:

- Use as an Offset Connector between Two Enclosures
- To Offset the Axis of Raceways 3/4"

MATERIALS / FINISH

- Zinc Plated

ITEM #	UPC	TRADE SIZES	DIMENSIONS			INNER BOX	OUTER BOX
			A	B	C		
OLON050	743269375600	1/2"	2.48	0.95	0.75	10	100
OLON075	743269375617	3/4"	2.34	1.18	0.75	10	100
OLON100	743269375624	1"	2.67	1.52	0.75	10	100
OLON125	743269375631	1-1/4"	2.86	1.80	0.75	5	50
OLON150	743269375648	1-1/2"	2.86	2.14	0.75	5	50
OLON200	743269375655	2"	2.96	2.59	0.75	2	20
OLON250	743269375662	2-1/2"	3.97	3.26	0.75	-	2
OLON300	743269375679	3"	4.43	3.81	0.75	-	2
OLON350	743269375686	3-1/2"	4.82	4.38	0.75	-	1
OLON400	743269375693	4"	5.04	4.96	0.75	-	1



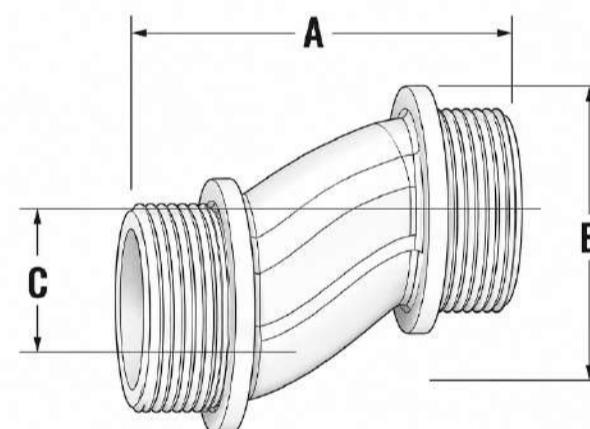
OLON050



OLON075



OLON100



OLON125



OLON150



OLON200



OLON250



OLON300



OLON350



OLON400